

# LT300

BATTERY-POWERED ELECTRIC TUG  
TO PULL LOADS **UP TO 1000 KG\***

ZERO EMISSIONS

QUIET

LOW MAINTENANCE



**Compact**, ideal for handling and storing the vehicle in confined spaces



**Foldable tiller with variable height**, for greater comfort of use



**Variable inclination of the machine**, for better balance and safe operation



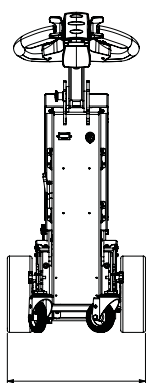
**Independent adjustment of the support wheels**: optimal set-up for each type of use

  
MADE IN ITALY

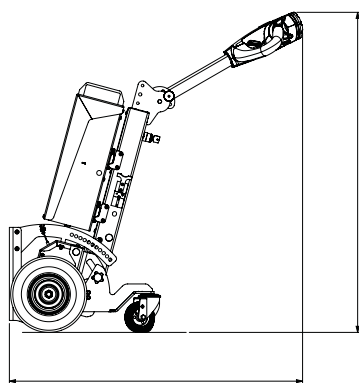
The LT300 is a battery-powered tug with tiller drive. It has been designed to move trolleys and other containers on wheels safely and comfortably, reducing physical effort and improving productivity. It is equipped with an emergency stop that can be easily activated from the driving tiller. This tug is particularly suitable for internal handling of trolleys at airports, hospitals, factories, warehouses, etc. Various configurations are possible, choosing between different types of batteries and tires. It can be set up with accessories that make the standard product adaptable to multiple uses.

**ALITRAK**<sup>®</sup>  
ELECTRIC MINDED

[www.alitrak.com](http://www.alitrak.com)

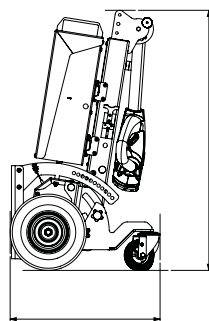


453 mm



961 mm

1049 mm



491 mm

852 mm

## FEATURES

|                      |   |
|----------------------|---|
| Equipment body       | <b>2 traction wheels and 2 support wheels</b> |
| Traction wheels      | <b>250 mm Superelastic</b>                    |
| Driving control type | <b>Foldable tiller</b>                        |
| Accelerator          | <b>Butterfly type</b>                         |
| Battery charger      | <b>External 5A</b>                            |
| Dashboard display    | <b>Remaining battery charge</b>               |
| Parking brake        | <b>Electromagnetic</b>                        |
| Batteries            | <b>AGM type, 2 x 12 V/33 Ah C20</b>           |
| Electric motor       | <b>24V / 300 watt S 2 20 min</b>              |
| Product net weight   | <b>80 Kg</b>                                  |

## PERFORMANCES

|   |                         |
|---|-------------------------|
| Weight movement capacity on flat surface up to* | <b>1000 Kg</b>          |
| Pulling speed                                   | <b>4,5 Km/h approx.</b> |
| Pushing speed                                   | <b>2,5 Km/h approx.</b> |
| Battery recharging time                         | <b>8 hours</b>          |

\*The weight movement capacity is an indication., that can change with different machine fittings and working conditions (type of ground,wheel type,use of ballast,etc.)

Features shown are subject to change without notice

## ACCESSORIES



Hook for 40 mm profile



Hook for Ø20mm pin trolley attachment



Batteries with different amperage



No marking wheel



Ballast 6kg X 2



Flashing light

**ALITRAK**<sup>®</sup>  
ELECTRIC MINDED

www.alitrak.com